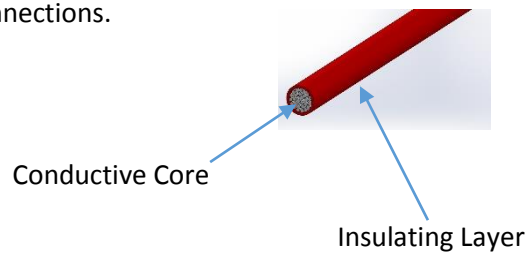


Engineering³ - Stripping Wire

Insulated Wiring

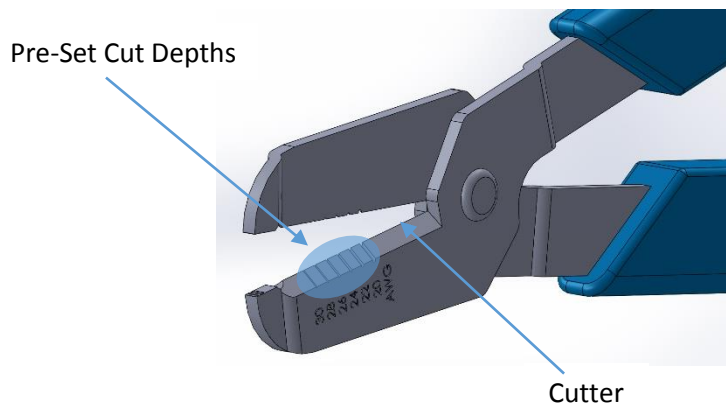
Insulated wires are composed of a core conductive material (either solid or multi stranded) surrounded by an insulating layer (usually PVC or Silicone). The insulating layer comes in different colors to allow for color coding wiring connections.



To use insulated wiring a certain amount of the insulating layer must be removed through a process called "stripping".

Stripping Tools

A stripping tool has preset cut depths so that when used correctly the insulating layer (of insulated wiring) is cut without damaging the conductive material in the core.

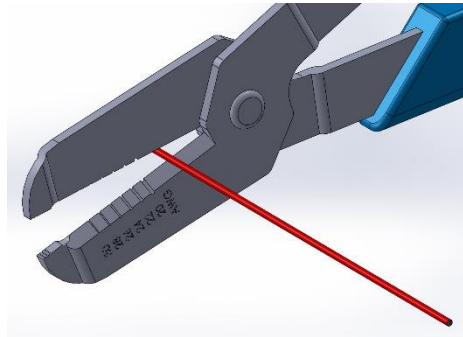


Most stripping tools also have a cutter to square the ends of wires before stripping.

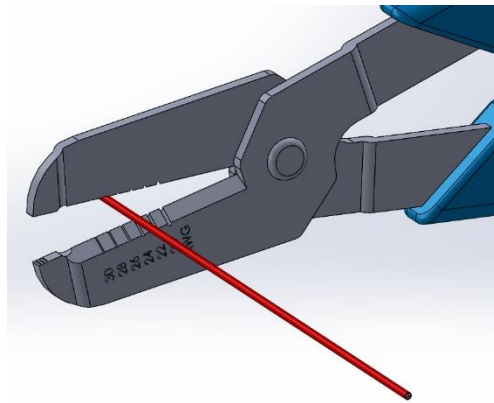
Note: Different strippers have alternate ranges of wire gauge they will accommodate. Be sure to use the correct stripper for the target wire.

How to Strip Wires

Cut the wire so the end is square/clean



Place the wire in the stripper (choose the hole based on the gauge of the wire) with the desired amount to be stripped extending out the back of the tool.



Close the stripper and pull out the wire.



The outer insulating shell should be removed and the inner wire core exposed (per the set amount)

* With multi-stranded conductive cores it is often recommended to twist the exposed conductor strands together to ease insertion into connectors.